

Phantom

zero-edge solutions for worktops

Foster 

Company Profile	5
AISI 304 Stainless steel	7
PVD collection	11
Phantom EDGE	19
Phantom BASE	33
Mixer and complements	47
Contacts	69



p. 19

Phantom EDGE



Phantom BASE



QUALITY IN EVERYDAY LIFE

Research, style and beauty, all in one stroke: the Foster brand. The desire to find new solutions to improve the experience and enjoyment of one's kitchen is what drives our research, and the source of our satisfaction. We have reached important goals in developing household appliances, and with the same enthusiasm we share and develop ideas with the most important kitchen manufacturers in Italy and worldwide. This is the Foster philosophy: excellence in quality standards, great manufacturing craftsmanship, ever innovative solutions interpreted with our signature style and taste.

HIGH-LEVEL DESIGN

The love for art and the taste of beauty, which we breathe every day in our Palazzo Terranova in Brescello, with its frescoed rooms full of history, considered artistic and cultural heritage by the Superintendence for Cultural Heritage and FAI, is naturally infused in all our products. This is where the renowned elegance and refined design that distinguishes the Foster brand is born, and that has made it one of the most loved brands in the world by architects all over the world and by customers who appreciate beauty combined with functionality.



THE GROUP

Foster operates in 50 countries through a network of selected partners. It stays close to its customers with quality, efficiency and courteous service. Anytime, anywhere, with a competent sales and technical team and a comprehensive after-sales service. The multilanguage website is updated daily, because we believe it is not just a tool, but a window on the world.



Foster 

AISI 304 STAINLESS STEEL

AISI 304 Stainless steel

Foster AISI 304 steel is an austenitic, non-magnetic stainless steel composed of a high Chromium and Nickel content that provides superior strength and durability. AISI 304 steel is also known as 18-10 stainless steel (18% Chromium 10% Nickel). Foster has always performed strict quality control on all stainless steels in every process. This attention to detail, typical of artisan's, has always distinguished Foster products. The thickness of the steel chosen by Foster allows to obtain products that are more solid, resistant and extremely long-lasting. Foster steels are treated with special vegetable fiber brushes that give the characteristic texture of Foster's steel. This particular process allows to obtain an extra fine surface, impossible to obtain with the classic metal brushes and much easier to clean. The vintage finish gives a retro touch to steel surfaces. It is recreated through an asymmetrical, totally handcrafted brushing process that simulates the typical signs of time. Both Brushed and Vintage finishes lend themselves to PVD treatment.



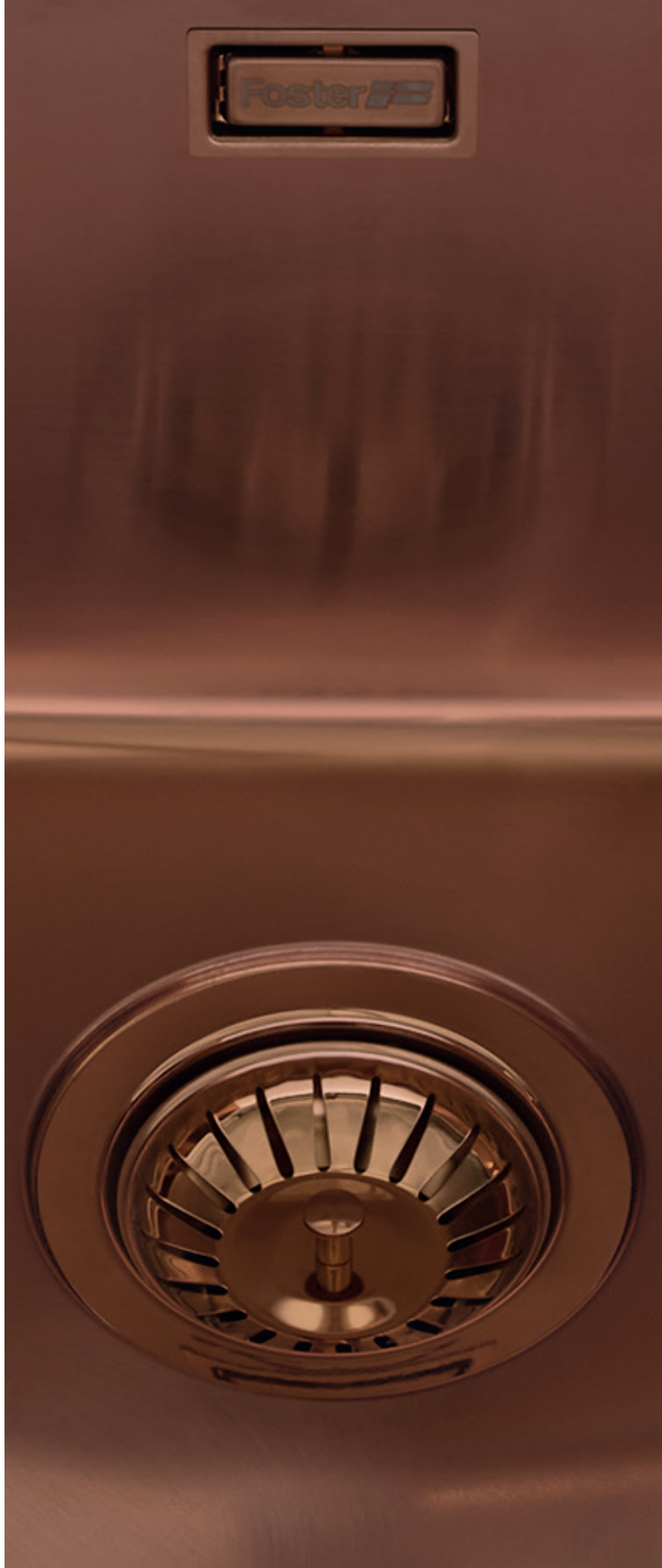
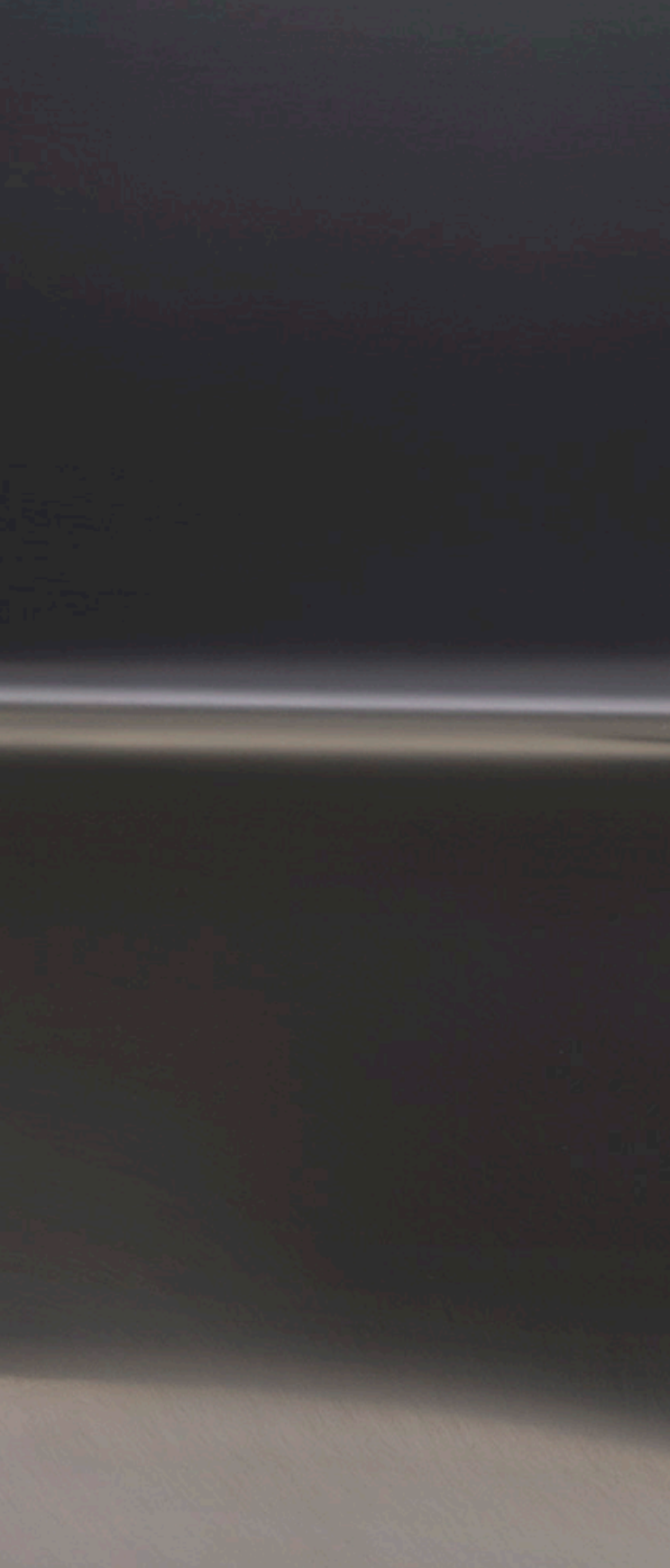
Brushed finish



Vintage finish

PVD Collections

The PVD finish endows stainless steel with elegant and sophisticated colorations. They are obtained through a physical – not chemical – process granting a higher resistance than any other treatment.



GUN METAL



Steel in a dark suit: elegant, quiet, and technological. Perfect to celebrate the Foster design



Brushed finish



Vintage finish

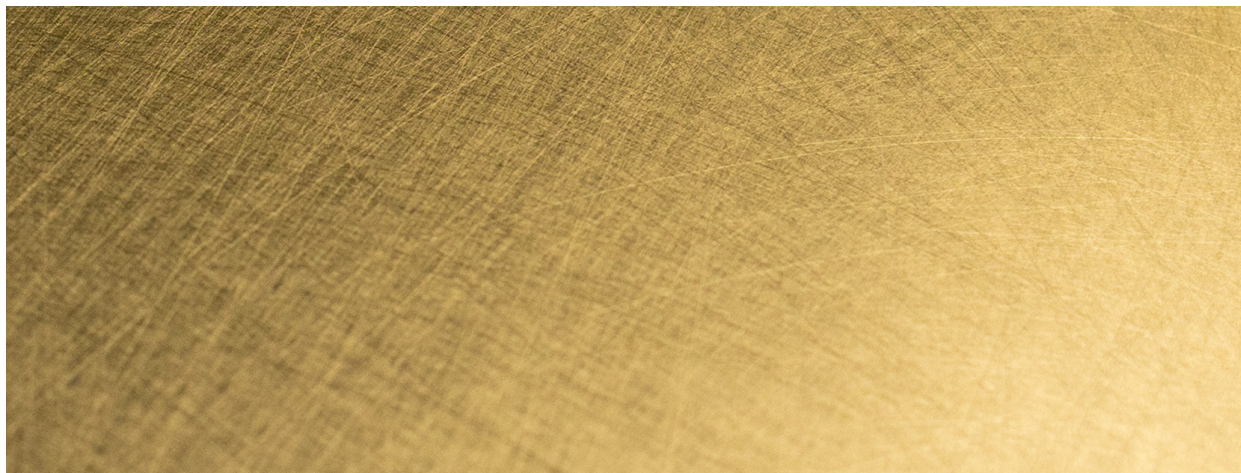
GOLD



Noble and with character: gold becomes light and refined. A perfect match even in a minimal context



Brushed finish



Vintage finish

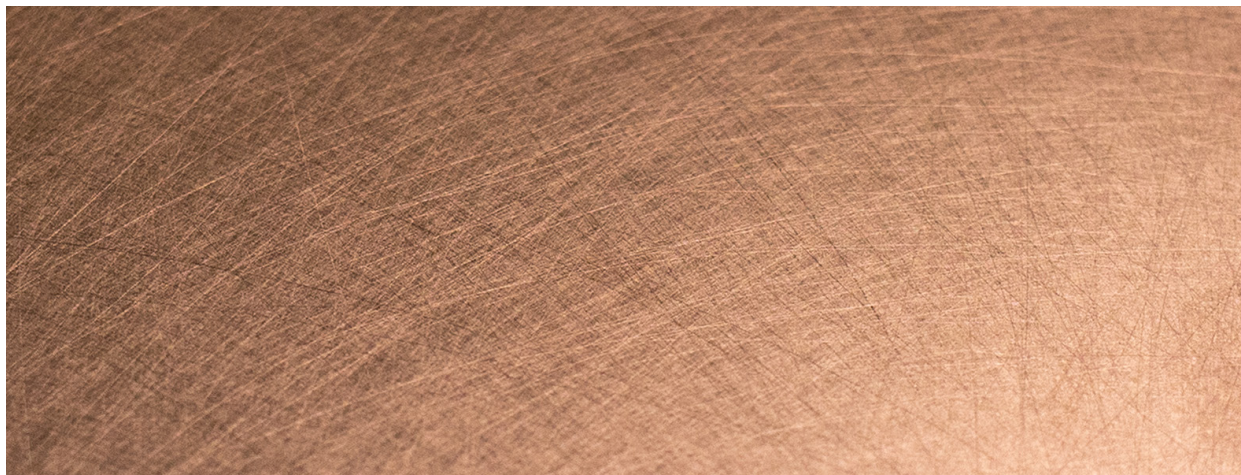
COPPER



A warm old-time tinge. It gives steel a new appeal and personality, in whatever pairing



Brushed finish



Vintage finish



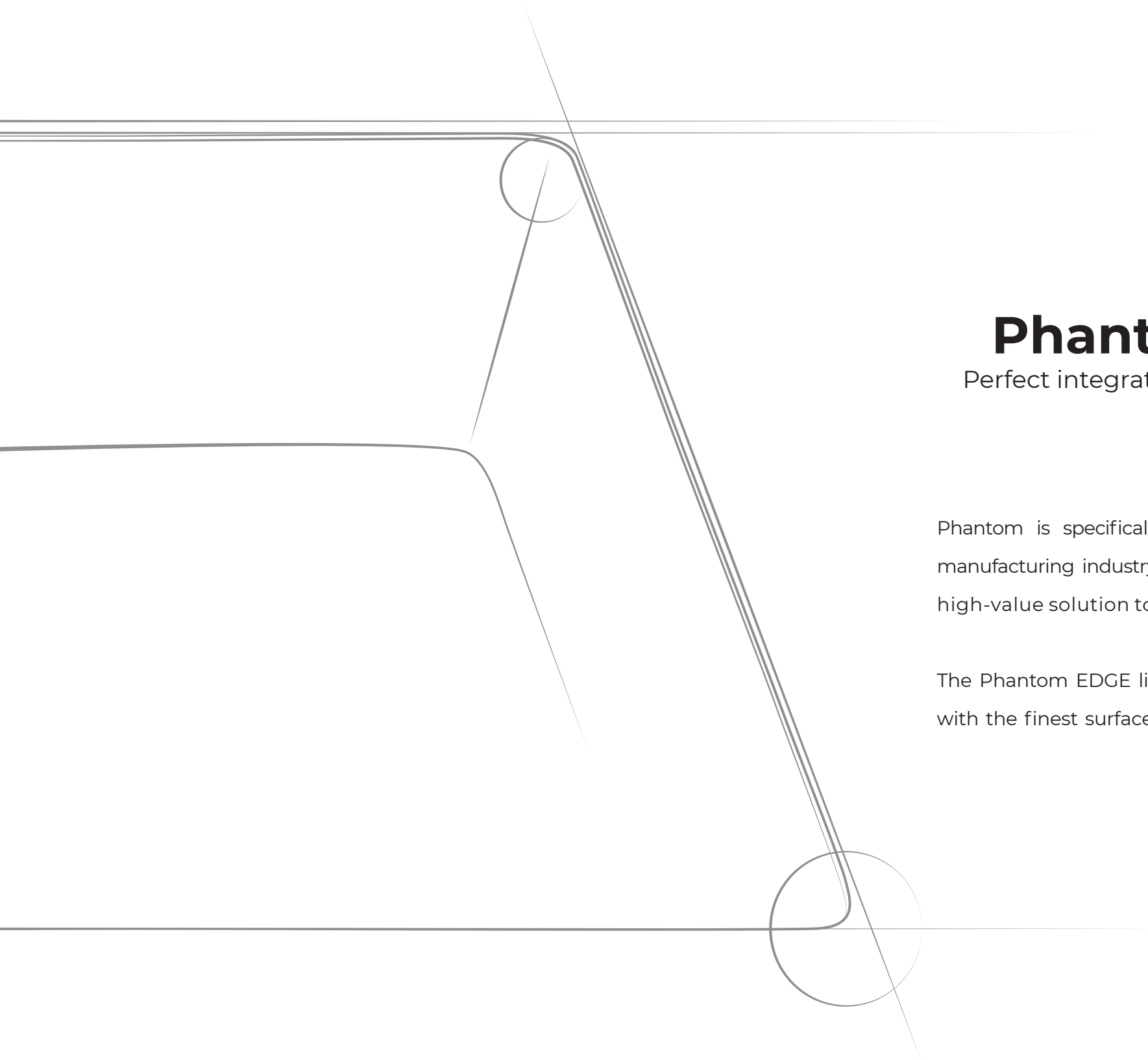
Phantom EDGE

zero-edge solutions for worktops

Phantom is Foster's innovative proposal to integrate stainless steel sinks into worktops of different materials.

Phantom EDGE: the lack of edge on the worktop makes for an elegant and minimalistic look, and is a perfect solution in terms of hygiene and practicality in cleaning.





Phantom EDGE

Perfect integration with any material

Phantom is specifically aimed at the worktops' manufacturing industry, to offer an innovative and high-value solution to integrate their proposals.

The Phantom EDGE line is designed to integrate with the finest surfaces and achieve the ultimate in aesthetics.

Phantom EDGE

Phantom is the first stainless steel bowls' system with total absence of edge. All the practicality of stainless steel, now coupled with any worktop material, with a perfectly minimal design

The Phantom bowls are specifically manufactured for zero-edge installation. They are equipped with a perimetric fixing system onto which the worktop is lodged

The coupling with the Phantom bowls requires a specific workmanship on the perimeter of the cut-out hole, as shown in the section

The standard version is meant for 12 or 20 mm-thick worktops after processing as indicated in the technical detail

12mm

20mm



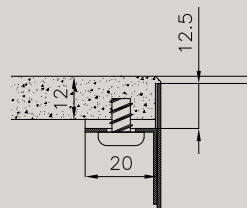
Phantom EDGE - Inox

Phantom EDGE Inox | SS - 71 cm

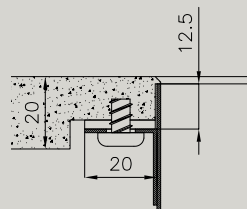


TOP THICKNESSES

12mm



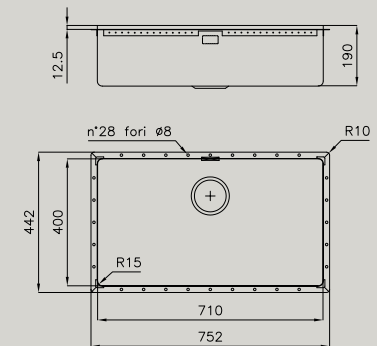
20mm



4157 051 brushed

4157 851 vintage

AISI 304 St. steel bowl
Bowl dimension: 710 x 400 mm
Cut out drawing: see web site
Waste fitting 3½" - perimetral overflow



Phantom EDGE Inox | SS - 50 cm



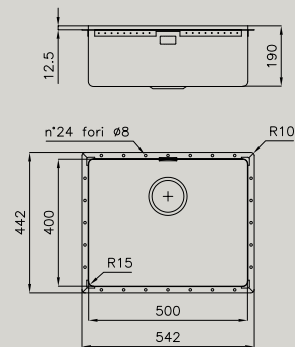
Phantom EDGE Inox | SS - 40 cm



4155 051 brushed

4155 851 vintage

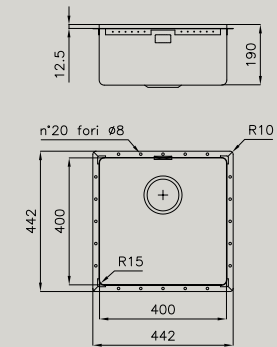
AISI 304 St. steel bowl
Bowl dimension: 500 x 400 mm
Cut out drawing: see web site
Waste fitting 3½" - perimetral overflow



4156 051 brushed

4156 851 vintage

AISI 304 St. steel bowl
Bowl dimension: 400 x 400 mm
Cut out drawing: see web site
Waste fitting 3½" - perimetral overflow



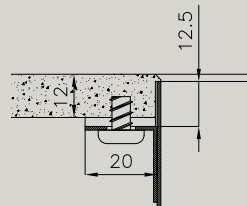
Phantom EDGE - PVD Gun Metal

Phantom EDGE Gun Metal | 71 cm

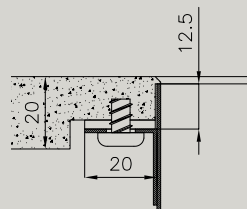


TOP THICKNESSES

12mm



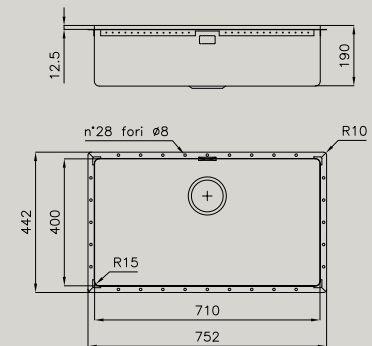
20mm



4157 016 brushed

4157 856 vintage

AISI 304 St. steel bowl
PVD Gun Metal
Bowl dimension: 710 x 400 mm
Cut out drawing: see web site
Waste fitting 3½" - perimetral overflow



Phantom EDGE Gun Metal | 50 cm



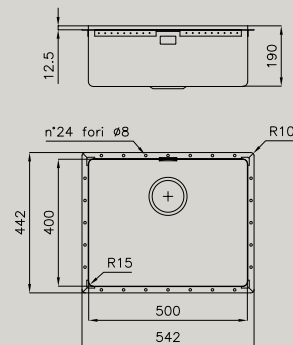
Phantom EDGE Gun Metal | 40 cm



4155 016 brushed

4155 856 vintage

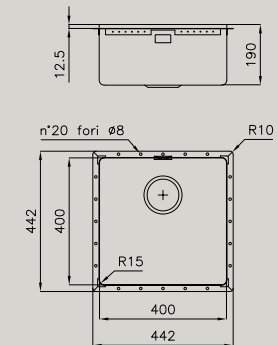
AISI 304 St. steel bowl
PVD Gun Metal
Bowl dimension: 500 x 400 mm
Cut out drawing: see web site
Waste fitting 3½" - perimetral overflow



4156 016 brushed

4156 856 vintage

AISI 304 St. steel bowl
PVD Gun Metal
Bowl dimension: 400 x 400 mm
Cut out drawing: see web site
Waste fitting 3½" - perimetral overflow



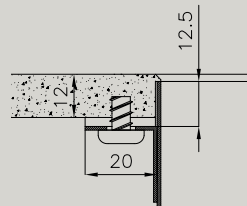
Phantom EDGE - PVD Gold

Phantom EDGE Gold | 71 cm

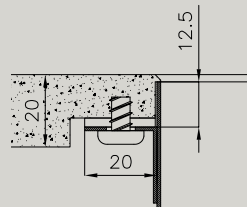


TOP THICKNESSES

12mm



20mm



4157 019 brushed

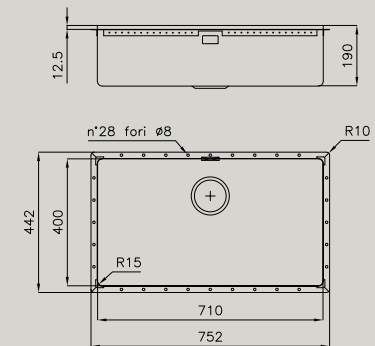
4157 859 vintage

AISI 304 St. steel bowl
PVD Gold

Bowl dimension: 710 x 400 mm

Cut out drawing: see web site

Waste fitting 3½" - perimetral overflow



Phantom EDGE Gold | 50 cm



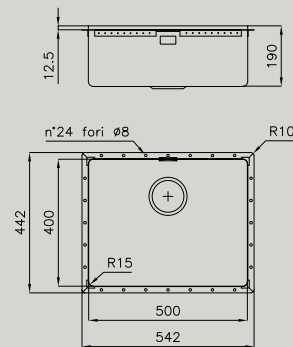
Phantom EDGE Gold | 40 cm



4155 019 brushed

4155 859 vintage

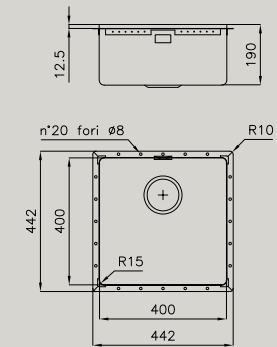
AISI 304 St. steel bowl
PVD Gold
Bowl dimension: 500 x 400 mm
Cut out drawing: see web site
Waste fitting 3½" - perimetral overflow



4156 019 brushed

4156 859 vintage

AISI 304 St. steel bowl
PVD Gold
Bowl dimension: 400 x 400 mm
Cut out drawing: see web site
Waste fitting 3½" - perimetral overflow



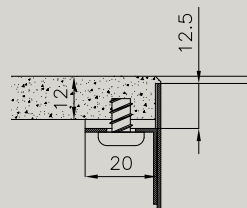
Phantom EDGE - PVD Copper

Phantom EDGE Copper | 71 cm

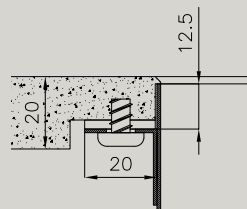


TOP THICKNESSES

12mm



20mm



4157 018 brushed

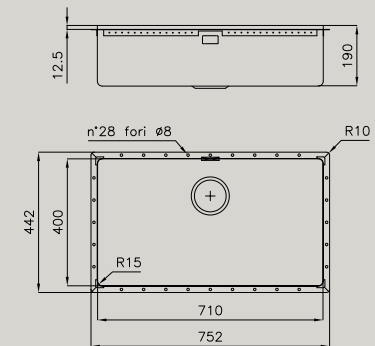
4157 858 vintage

AISI 304 St. steel bowl
PVD Copper

Bowl dimension: 710 x 400 mm

Cut out drawing: see web site

Waste fitting 3½" - perimetral overflow



Phantom EDGE Copper | 50 cm



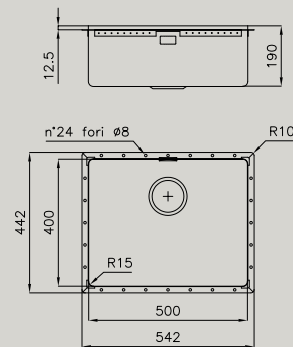
Phantom EDGE Copper | 40 cm



4155 018 brushed

4155 858 vintage

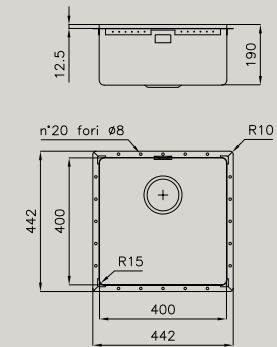
AISI 304 St. steel bowl
PVD Copper
Bowl dimension: 500 x 400 mm
Cut out drawing: see web site
Waste fitting 3½" - perimetral overflow



4156 018 brushed

4156 858 vintage

AISI 304 St. steel bowl
PVD Copper
Bowl dimension: 400 x 400 mm
Cut out drawing: see web site
Waste fitting 3½" - perimetral overflow





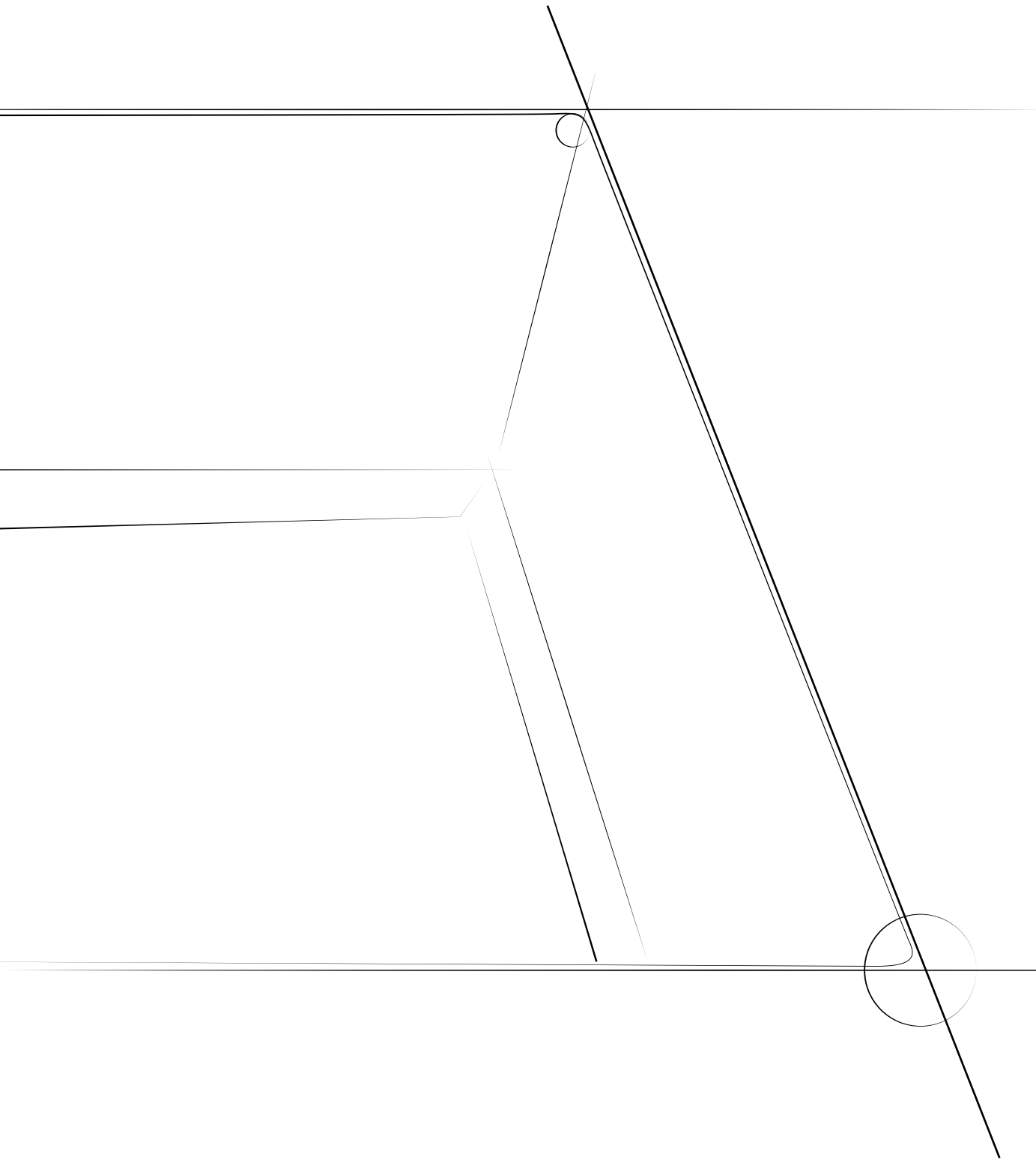
Phantom BASE

zero-edge solutions for worktops

Phantom is Foster's innovative proposal to integrate stainless steel sinks into worktops of different materials.

Phantom BASE: the sinks' bottom is the perfect solution to benefit of all the perks of steel also with sinks made out of slabs.





Phantom BASE

The bi-material sink that couples looks and functionality

Phantom is specifically aimed at the worktops' manufacturing industry, to offer an innovative and high-value solution to integrate their proposals.

The Phantom BASE line lends itself to custom design to integrate with the finest surfaces and achieve the ultimate in aesthetics.

Phantom BASE

Phantom BASE is the perfect solution for coupling with sinks made of marble slabs or Solid Surface. The great practicality of stainless steel can now be matched with the wide colour and materials' selection, and to the elegance of perfectly squared shapes typical of these materials.

The Phantom BASE sink' bottoms are specifically engineered to be coupled with sinks made out of slabs. The perimetric trough makes for a simple and perfect installation



The standard version of Phantom BASE is meant for slabs of 12 or 20 mm thickness.



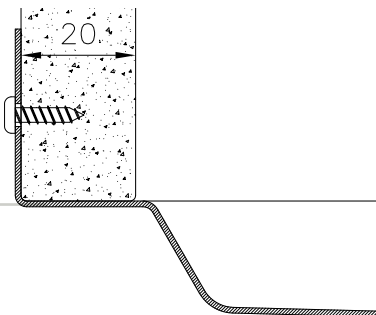
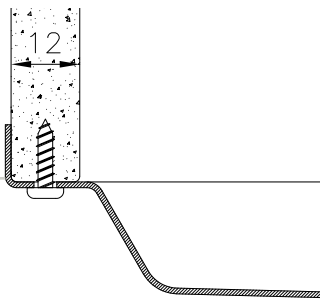
The steel bottom Phantom BASE solves the problem of water draining of slab sinks, because the slope built into the moulded bottom ensures perfect draining



The radius and sloped profile of Phantom BASE guarantee great practicality and hygiene in everyday cleaning

12mm

20mm

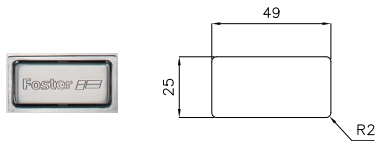


Phantom BASE - Inox

Supplied

Drain with Foster perimeter overflow,
universal corrugated pipe for customer-type
overflow installation (8669 040)

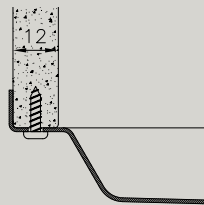
cut-out for Foster overflow installation



Phantom BASE Inox | SS - 71 cm



TOP THICKNESSES

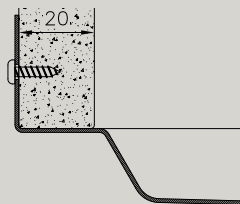
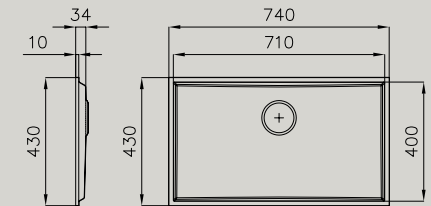


12mm

5557 140 box 1pcs

4557 140 box 4pcs

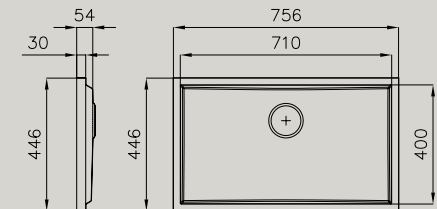
AISI 304 stainless steel bottom
brushed finish - drain: 3½"
for square bowl 710 x 400 mm



20mm

5557 240 box 1pcs

AISI 304 stainless steel bottom
brushed finish - drain: 3½"
for square bowl 710 x 400 mm



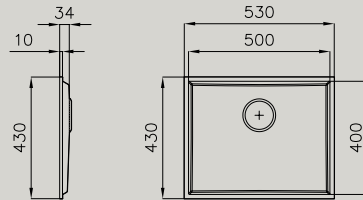
Phantom BASE Inox | SS - 50 cm



5555 040 box 1pcs

4555 040 box 4pcs

AISI 304 stainless steel bottom
brushed finish - drain: 3½"
for square bowl 500 x 400 mm



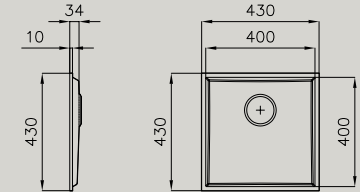
Phantom BASE Inox | SS - 40 cm



5554 040 box 1pcs

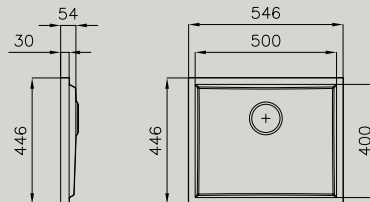
4554 040 box 4pcs

AISI 304 stainless steel bottom
brushed finish - drain: 3½"
for square bowl 400 x 400 mm



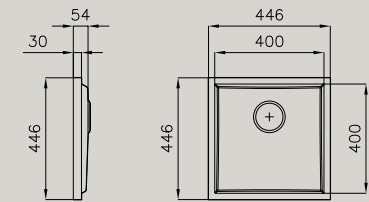
5555 240 box 1pcs

AISI 304 stainless steel bottom
brushed finish - drain: 3½"
for square bowl 500 x 400 mm



5554 240 box 1pz

AISI 304 stainless steel bottom
brushed finish - drain: 3½"
for square bowl 400 x 400 mm

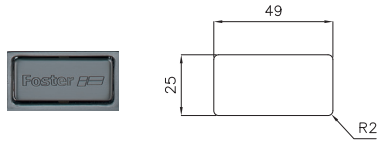


Phantom BASE - PVD Gun Metal

Supplied

Drain with Foster perimeter overflow,
universal corrugated pipe for customer-type
overflow installation (8669 040)

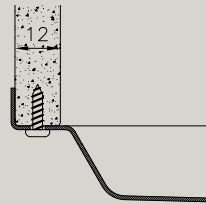
cut-out for Foster overflow installation



Phantom BASE Gun Metal - 71 cm



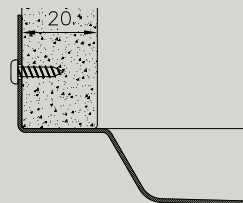
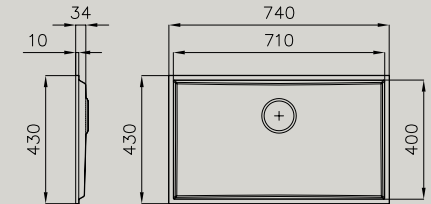
TOP THICKNESSES



12mm

5557 146 box 1pcs

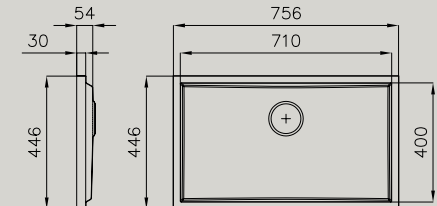
AISI 304 St. Steel PVD Gun Metal bottom
brushed finish - drain: 3½"
for square bowl 710 x 400 mm



20mm

5557 246 box 1pcs

AISI 304 St. Steel PVD Gun Metal bottom
brushed finish - drain: 3½"
for square bowl 710 x 400 mm



Phantom BASE Gun Metal - 50 cm

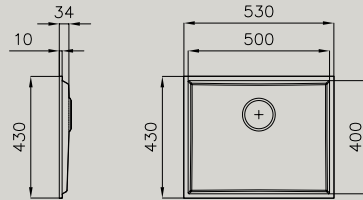


Phantom BASE Gun Metal - 40 cm



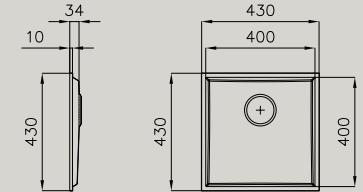
5555 046 box 1pcs

AISI 304 St. Steel PVD Gun Metal bottom
brushed finish - drain: 3½"
for square bowl 500 x 400 mm



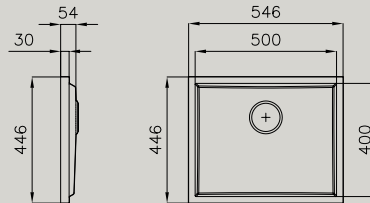
5554 046 box 1pcs

AISI 304 St. Steel PVD Gun Metal bottom
brushed finish - drain: 3½"
for square bowl 400 x 400 mm



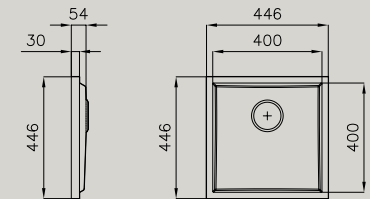
5555 246 box 1pcs

AISI 304 St. Steel PVD Gun Metal bottom
brushed finish - drain: 3½"
for square bowl 500 x 400 mm



5554 246 box 1pcs

AISI 304 St. Steel PVD Gun Metal bottom
brushed finish - drain: 3½"
for square bowl 400 x 400 mm

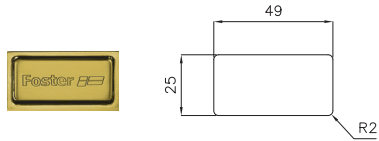


Phantom BASE - PVD Gold

Supplied

Drain with Foster perimeter overflow,
universal corrugated pipe for customer-type
overflow installation (8669 040)

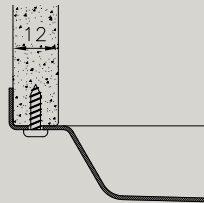
cut-out for Foster overflow installation



Phantom BASE Gold - 71 cm



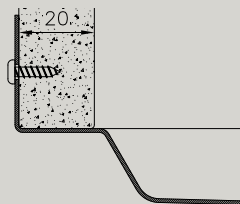
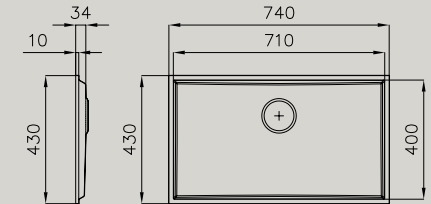
TOP THICKNESSES



12mm

5557 149 box 1pcs

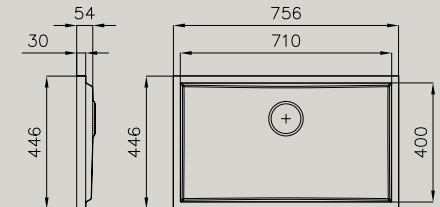
AISI 304 St. Steel PVD Gold bottom
brushed finish - drain: 3½"
for square bowl 710 x 400 mm



20mm

5557 249 box 1pcs

AISI 304 St. Steel PVD Gold bottom
brushed finish - drain: 3½"
for square bowl 710 x 400 mm



Phantom BASE Gold - 50 cm

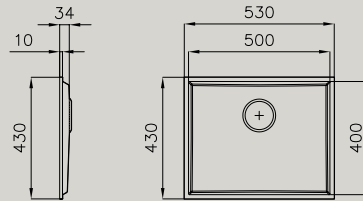


Phantom BASE Gold - 40 cm



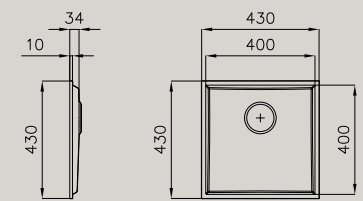
5555 049 box 1pcs

AISI 304 St. Steel PVD Gold bottom
brushed finish - drain: 3½"
for square bowl 500 x 400 mm



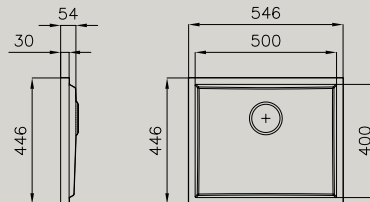
5554 049 box 1pcs

AISI 304 St. Steel PVD Gold bottom
brushed finish - drain: 3½"
for square bowl 400 x 400 mm



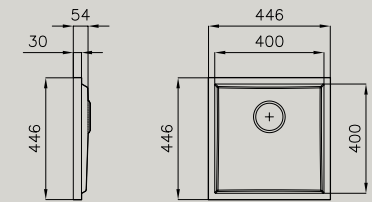
5555 249 box 1pcs

AISI 304 St. Steel PVD Gold bottom
brushed finish - drain: 3½"
for square bowl 500 x 400 mm



5554 249 box 1pcs

AISI 304 St. Steel PVD Gold bottom
brushed finish - drain: 3½"
for square bowl 400 x 400 mm

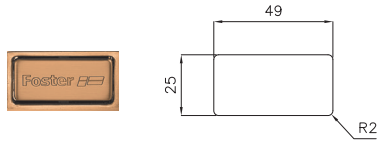


Phantom BASE - PVD Copper

Supplied

Drain with Foster perimeter overflow,
universal corrugated pipe for customer-type
overflow installation (8669 040)

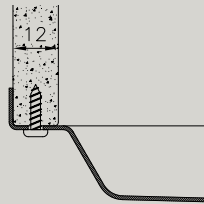
cut-out for Foster overflow installation



Phantom BASE Copper - 71 cm



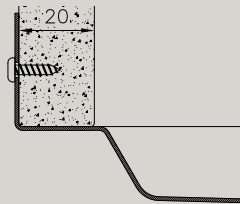
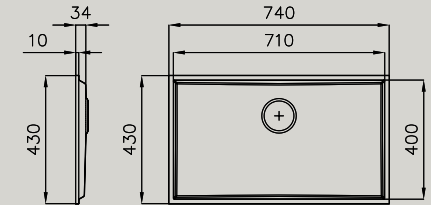
TOP THICKNESSES



12mm

5557 148 box 1pcs

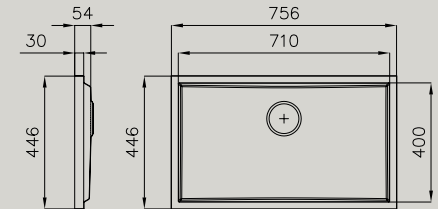
AISI 304 St. Steel PVD Copper bottom
brushed finish - drain: 3½"
for square bowl 710 x 400 mm



20mm

5557 248 box 1pcs

AISI 304 St. Steel PVD Copper bottom
brushed finish - drain: 3½"
for square bowl 710 x 400 mm



Phantom BASE Copper - 50 cm

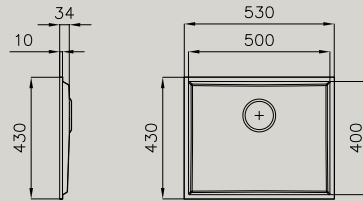


Phantom BASE Copper - 40 cm



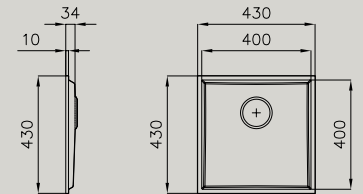
5555 048 box 1pcs

AISI 304 St. Steel PVD Copper bottom
brushed finish - drain: 3½"
for square bowl 500 x 400 mm



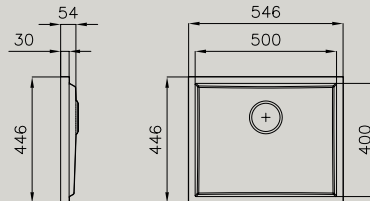
5554 048 box 1pcs

AISI 304 St. Steel PVD Copper bottom
brushed finish - drain: 3½"
for square bowl 400 x 400 mm



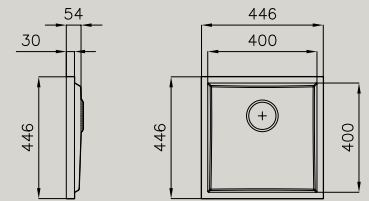
5555 248 box 1pcs

AISI 304 St. Steel PVD Copper bottom
brushed finish - drain: 3½"
for square bowl 500 x 400 mm



5554 248 box 1pcs

AISI 304 St. Steel PVD Copper bottom
brushed finish - drain: 3½"
for square bowl 400 x 400 mm





MIXERS AND COMPLEMENTS



8424 856 - Skin Gun Metal

Single lever mixer tap with rotating barrel and movable shower

Aesthetic parts in AISI 316
with PVD treatment

Strengthening plate is included

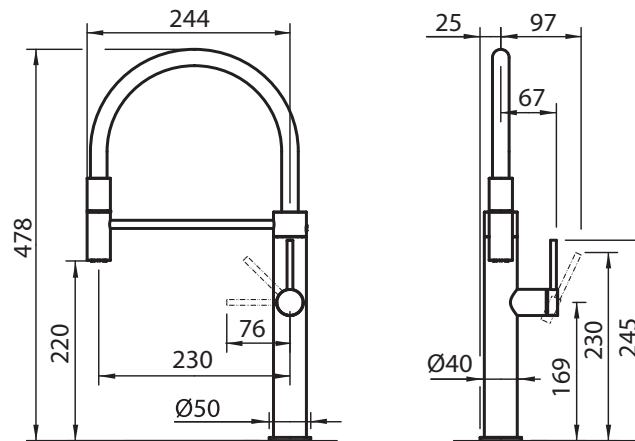
Cut-out for tap installation: \varnothing 35 mm

Built-in base: \varnothing 50 mm

Rotating angle: 360°

Ceramic disc cartridge

Max worktop thickness: 40 mm





8425 100 - Milanello

Single lever mixer tap with rotating barrel and extractable shower

Stainless steel covering

Strengthening plate is included

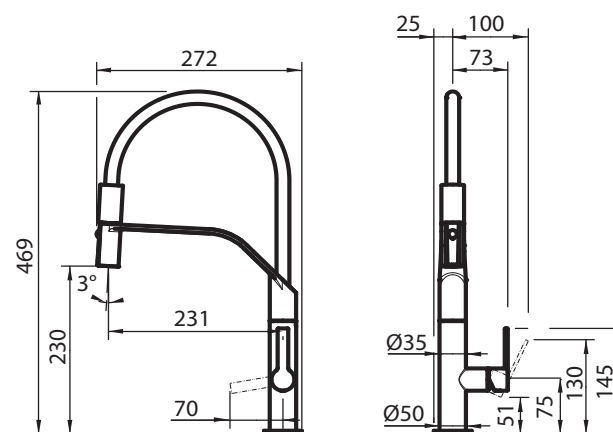
Cut-out for tap installation: \varnothing 35 mm

Built-in base: \varnothing 50 mm

Rotating angle: 360°

Ceramic disc cartridge

Max worktop thickness: 40 mm





8477 100 - Tube

Single lever mixer tap with rotating barrel and flexible shower

In AISI 316 stainless steel

Strengthening plate is included

Cut-out for tap installation: \varnothing 35 mm

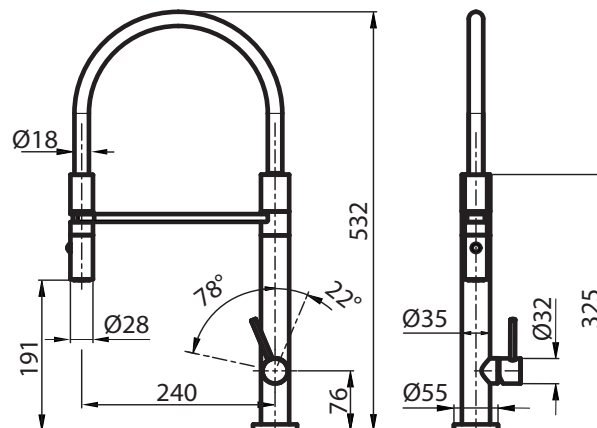
Built-in base: \varnothing 55 mm

Rotating angle: 360°

Ceramic disc cartridge

Max worktop thickness: 40 mm

Rear encumbrance: 25 mm





8521 000 - FL

Single lever mixer tap with rotating barrel and movable shower

Strengthening plate is included

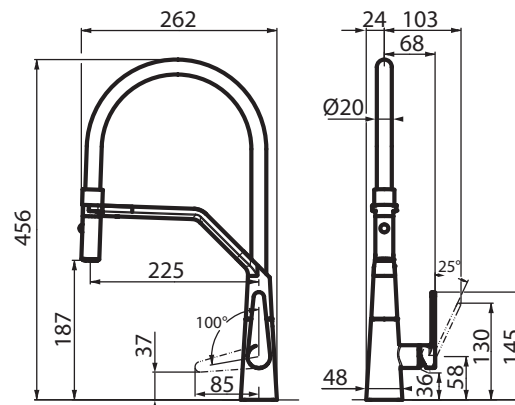
Cut-out for tap installation: \varnothing 35 mm

Built-in base: 48 x 48 mm

Rotating angle: 360°

Ceramic disc cartridge

Max worktop thickness: 40 mm



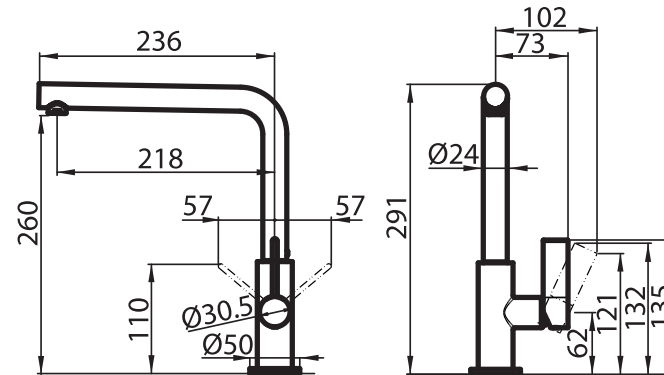


Foster

8497 856 - Omega Gun Metal

Single lever mixer tap with rotating barrel

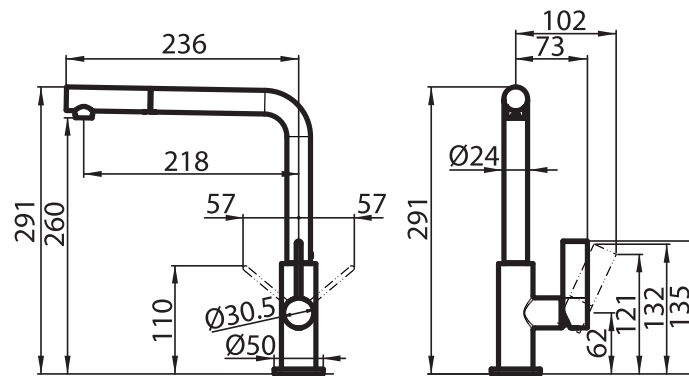
- Strengthening plate is included
- Cut-out for tap installation: \varnothing 35 mm
- Built-in base: \varnothing 50 mm
- Rotating angle: 360°
- Ceramic disc cartridge
- Max worktop thickness: 40 mm
- Rear encumbrance: 35 mm



8498 856 - Omega Plus Gun Metal

Single lever mixer tap with extractable shower

- Strengthening plate is included
- Cut-out for tap installation: \varnothing 35 mm
- Built-in base: \varnothing 50 mm
- Rotating angle: 360°
- Ceramic disc cartridge
- Max worktop thickness: 40 mm
- Rear encumbrance: 35 mm

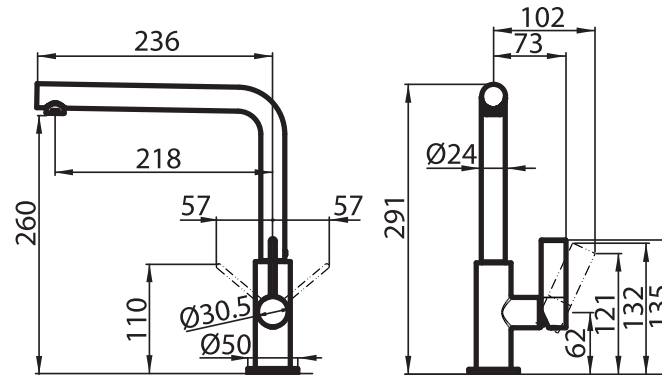




8497 700 - Omega Gold

Single lever mixer tap with rotating barrel

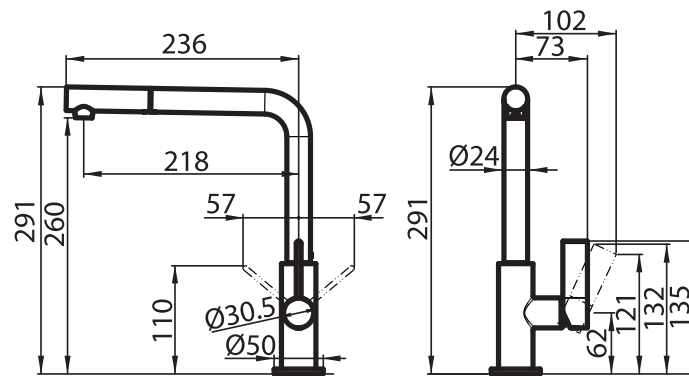
- Strengthening plate is included
- Cut-out for tap installation: \varnothing 35 mm
- Built-in base: \varnothing 50 mm
- Rotating angle: 360°
- Ceramic disc cartridge
- Max worktop thickness: 40 mm
- Rear encumbrance: 35 mm



8497 400 - Omega Copper

Single lever mixer tap with rotating barrel

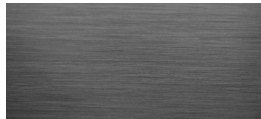
- Strengthening plate is included
- Cut-out for tap installation: \varnothing 35 mm
- Built-in base: \varnothing 50 mm
- Rotating angle: 360°
- Ceramic disc cartridge
- Max worktop thickness: 40 mm
- Rear encumbrance: 35 mm



WASTE FITTING | OVERFLOW



8403 303 - Inox | Waste fitting, overflow drain 3½ “



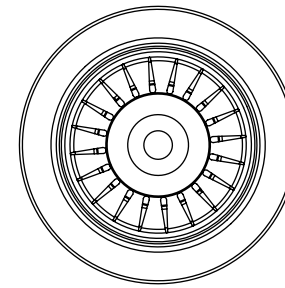
8403 310 - Gun Metal | Waste fitting, overflow drain 3½ “



8403 311 - Gold | Waste fitting, overflow drain 3½ “



8403 312 - Copper | Waste fitting, overflow drain 3½ “



The PVD colours allow original chromatic coupling solutions

In the picture the Phantom EDGE sink in PVD Gun Metal finish is coupled with PVD Copper waste fitting, overflow fob and mixer tap



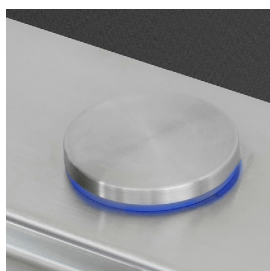
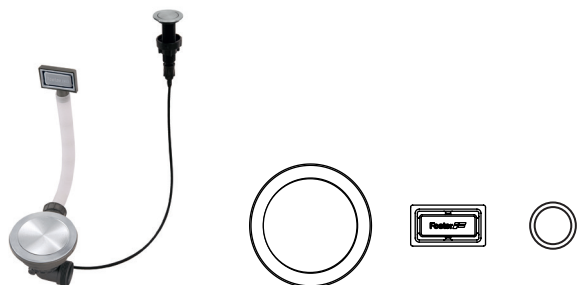
AUTOMATIC WASTE FITTING



Space PUSH

Automatic waste fitting
with Push-button control

cut out \varnothing 35



Space LIGHT

Automatic waste fitting
with electric remote
control and warning light

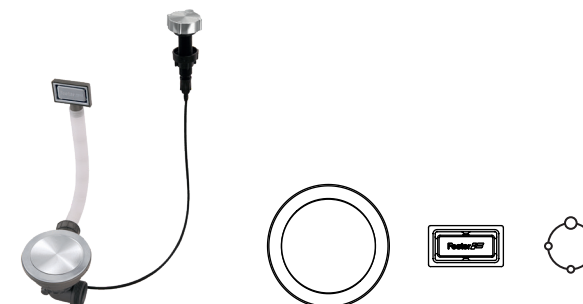
cut out \varnothing 35



Space MILANO

Automatic waste fitting
with round rotating
remote control

cut out \varnothing 35



8407 116 - Space PUSH **Inox**



8407 120- Space PUSH **Gun Metal**



8407 121 - Space PUSH **Gold**



8407 122 - Space PUSH **Copper**



8407 117 - Space LIGHT **Inox**



8407 115 - Space MILANO **Inox**

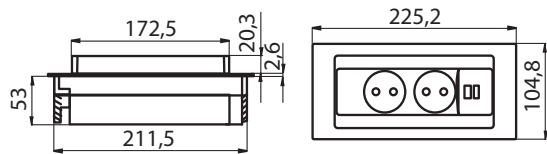
SOCKET



Reverse


Stainless steel push socket-holder slot for built-in installations on worktops
cut out 215 x 88 mm

2 Schuko sockets,
1 socket for charging



 **8000 010** - Reverse **Inox** brushed

 **8000 117** - Reverse **Inox** vintage

 **8000 116** - Reverse **Gun Metal**

 **8000 119** - Reverse **Gold**

 **8000 118** - Reverse **Copper**

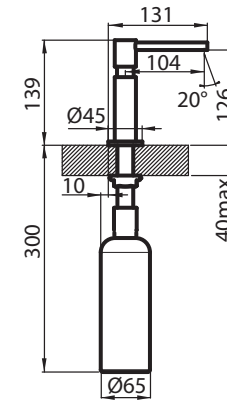
DISPENSER



Dispenser EVO

Built-in liquid soap | detergent dispenser

cut out \varnothing 35



 **8520 100** - EVO **Inox** satin finish

 **8520 856** - EVO **Gun Metal** chromed

ACCESSORIES



Phantom EDGE

8644 004 - Twin chopping board
made of Iroko-wood
Dimensions 41 x 41 cm



Phantom EDGE

8644 041 - Sliding chopping board
made of Iroko-wood
Dimensions 31,7 x 42,5 cm



Phantom EDGE

8644 042 - Chopping board
made of Iroko-wood with st. steel colander



Phantom EDGE

8631 300 - Chopping board
made of crystal
Dimensions 23 x 41 cm



Phantom BASE | EDGE

8153 100 - White bowl

Dimensioni 41,4 x 27,2 cm



Phantom EDGE

8159 101 - Grating kit **

Complete with frame support and food collection tray



Phantom BASE | EDGE

8657 001 - Chopping board

made of HDPE

Dimensions 27,2 x 42,5 cm



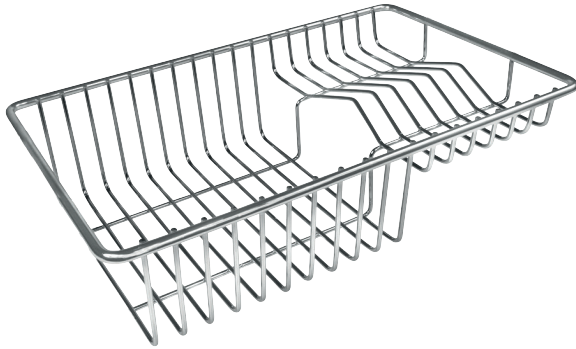
Phantom EDGE

8644 101 - Twin chopping board

made of HDPE

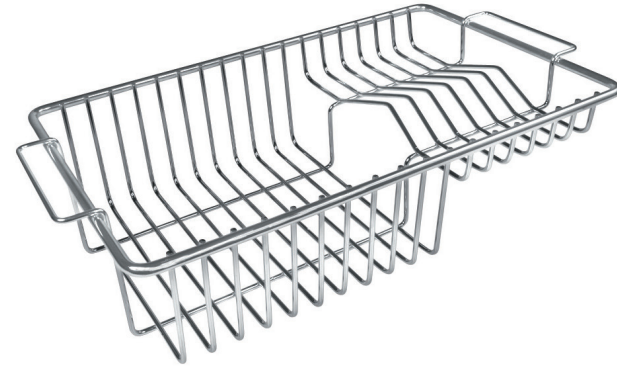
Dimensions 31,7 x 42,5 cm

ACCESSORIES



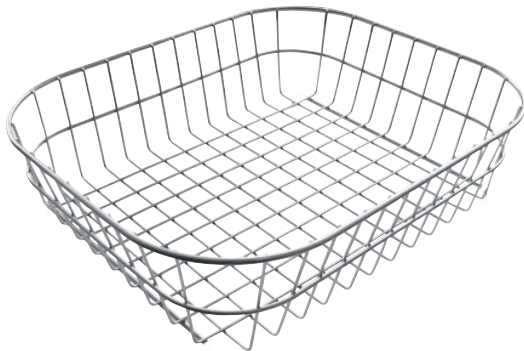
Phantom EDGE

8100 303 - Dishes holder **
made of stainless steel
Dimensioni 21,4 x 37,9 cm



Phantom BASE | EDGE

8100 201 - Dishes holder
made of stainless steel
Dimensions 25 x 42,5 cm



Phantom BASE | EDGE

8612 000 - Basket Inox
8612 100 - Basket White
Dimensions 40 x 40 cm



Phantom EDGE

8100 154 - Dishes holder *
made of stainless steel
Dimensions 25 x 35 cm



Phantom EDGE

8154 000 - Colander *
made of stainless steel
Dimensions 25 x 36 cm



Phantom EDGE

8151 000 - Perforated pan **
made of stainless steel
Dimensions 21,5 x 38 cm

* To be used with - 8644 004 Twin chopping board | Iroko

** To be used with - 8644 101 Twin chopping board | HDPE



FOSTER GROUP

FOSTER MILANO INC

7300 Biscayne Boulevard - Suite 200
Miami, Florida - 33138
USA

FOSTER SPA

Via M.S. Ottone, 18-20
42041 - Brescello - RE
ITALY

FOSTER SHANGHAI CO. LTD

Rm 1004, Jintie City Plaza North, No.
818 Zhenbei Rd. 200333 Shanghai
CHINA

EKOTEK SRL

Strada Monzambano, 73
46040 Ponti sul Mincio - MN
ITALY

BAUTEK SRL

Strada Monzambano, 73
46040 Ponti sul Mincio - MN
ITALY

The Foster organization will be pleased to provide further details and updates about the products and services

The features are purely guideline. Foster reserve the right to modify theme at any moment without notice

© Foster spa. Not to be reproduced wholly or in part without written permission of Foster spa



Foster spa - Via M. S. Ottone, 18/20 - 42041 Brescello (Re) Italy - E-mail: info@fosterspa.com | www.fosterspa.com